

+905423924009

ALFTRANS GLOBAL™

DISTRIBUTOR

TavSan
EFFICIENT SYSTEMS

Turkey

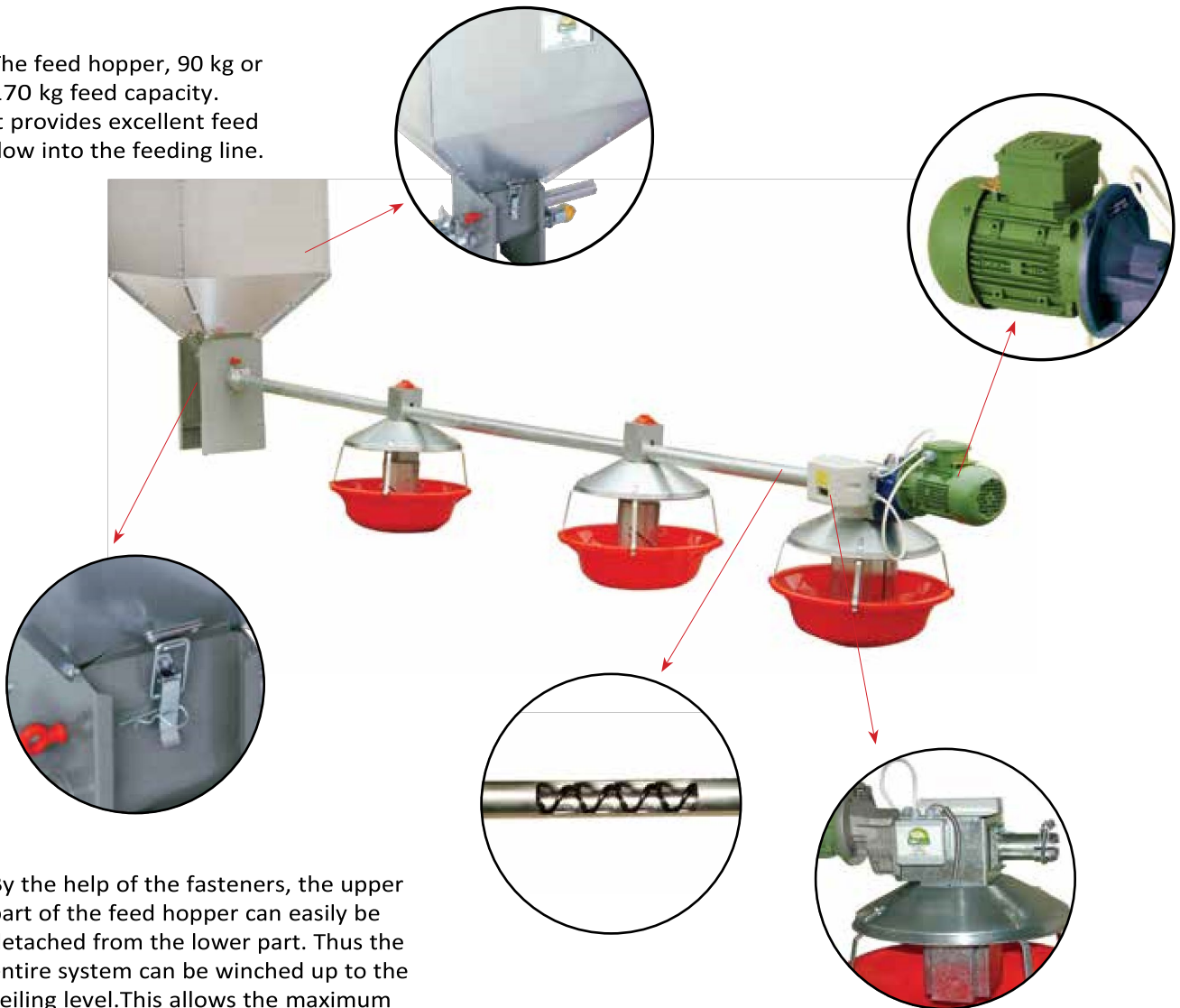


www.tavsan.com.tr

PAN FEEDING SYSTEM FOR TURKEYS

Nowadays thanks to changeable tray existing in the most useful Tavsan turkey feeding system, rearing and breeding periods can be implemented in the same poultry house and system.

The feed hopper, 90 kg or 170 kg feed capacity. It provides excellent feed flow into the feeding line.



By the help of the fasteners, the upper part of the feed hopper can easily be detached from the lower part. Thus the entire system can be winched up to the ceiling level. This allows the maximum distance under the feed pans and makes the manure removal easier.

The mechanical switch in the end-pan stops the motor automatically when all the pans are filled with feed.

TURKEY FEEDER



Plastic trays of both feeders are convenient to each other.
 Thus, both turkey rearing and breeding can be made in the same poultry house.



Turkey finishing feeder



Turkey rearing feeder

TECHNICAL SPECIFICATIONS

Maximum length of the system	150 m	
Feed pipe can be supplied with 2, 3 or 4 holes	External diameter: 45 mm or 50 mm Internal diameter: 42 mm or 47 mm	
Standard drive unit	55 kW (0,75Hp) 220/380V 50 Hz, 3 phase, 350 rpm (Special voltages and powers are available on request)	
Conveying capacity	Approx 450 kg / hour	
Suspension	Recommended to be at every 3 meters	
Hopper alternatives	90 kg	170 kg
Single outlet	√	√

Double outlet	v	v
---------------	---	---

TURKEY NIPPLE WATERING

PERFECT WATER SUPPLY FOR TURKEYS

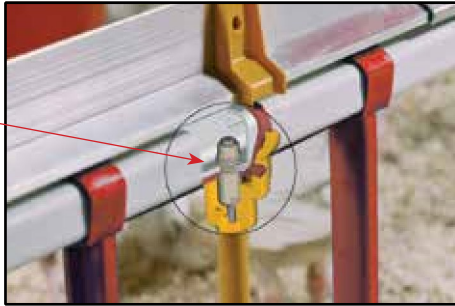
The central element of the floor-watering system for turkeys is the turkey nipple. The drinking system gets optimized with the pendulum and the cups for rearing and fattening for every age of turkey.

THE PRINCIPLE OF THE PENDULUM

The pendulum gets directed with the head of the animal at every absorption of water. The valve in the turkey nipple opens and water flows out of the 28 mm square pipe from the inside of the pendulum into the cup. At every drinking procedure into the cup. At every drinking procedure the edge of the cup gets clean with the help of the jowl and the feathering of the birds.



Rearing 30 - 40 turkey/nipple
Female turkey 25 - 30 turkey/nipple
Male turkey 20 turkey/nipple



RECOMMENDED TURKEY/NIPPLE RATES

Each 3 meter pipe: 3 ea. nipple

Each 3 meter pipe: 4 ea. nipple

Each 3 meter pipe: 5 ea. nipple

UNITE ALTERNATIVES



Round plate

Ideal for male and female turkey



Oval plate

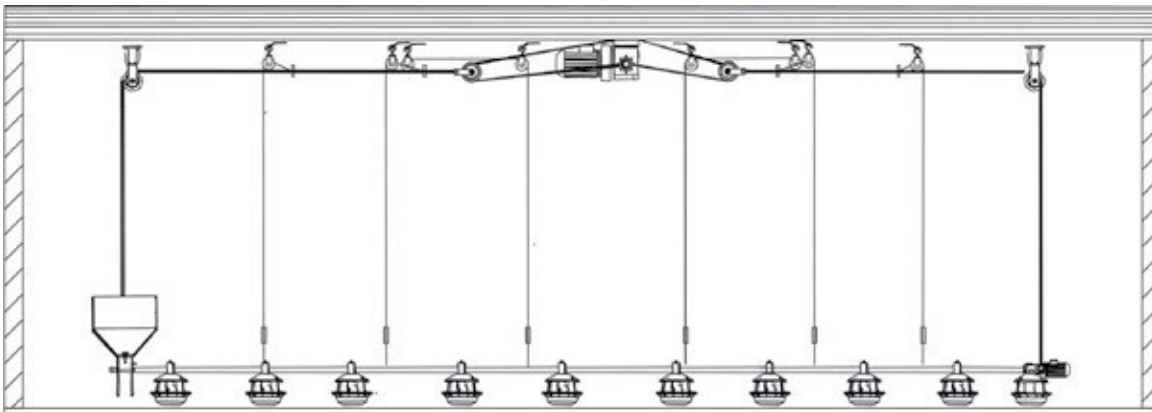
Ideal for rearing poultries. Can be used for female turkeys.



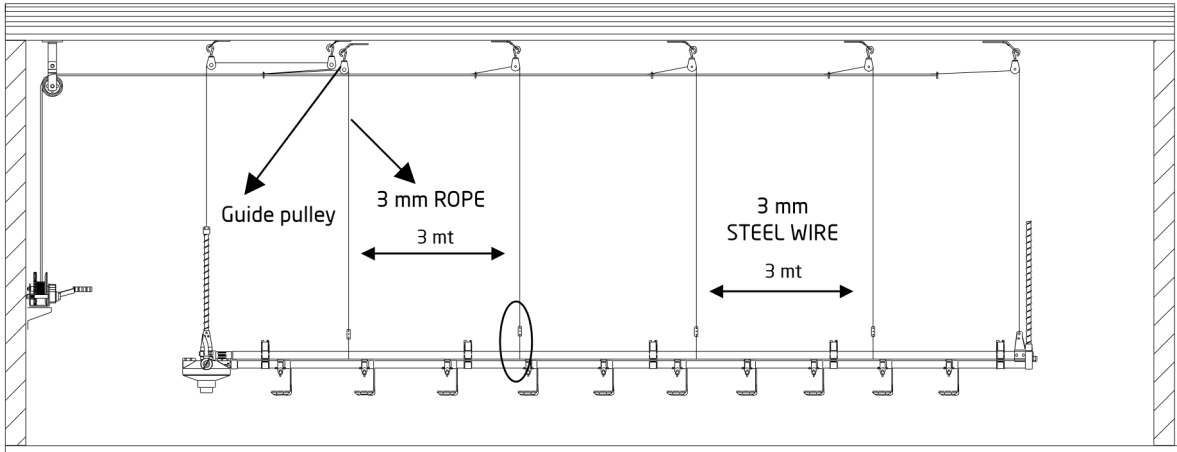
Practise ball

In rearing poultry houses, chick balls are used in providing to find water of turkey chicks during the first days.

LIFTING WITH MOTORED WINCH



LIFTING WITH MANUAL WINCH



PULLEYS



80 mm
Steel Pulley



45 mm
Plastic Pulley



22 mm
Plastic Pulley

WALL & CEILING WINCHES



Motor winch



Ceiling winch with brake 900 kg For pan feeding lines up to 60 meters and nipple watering lines upto 120 m



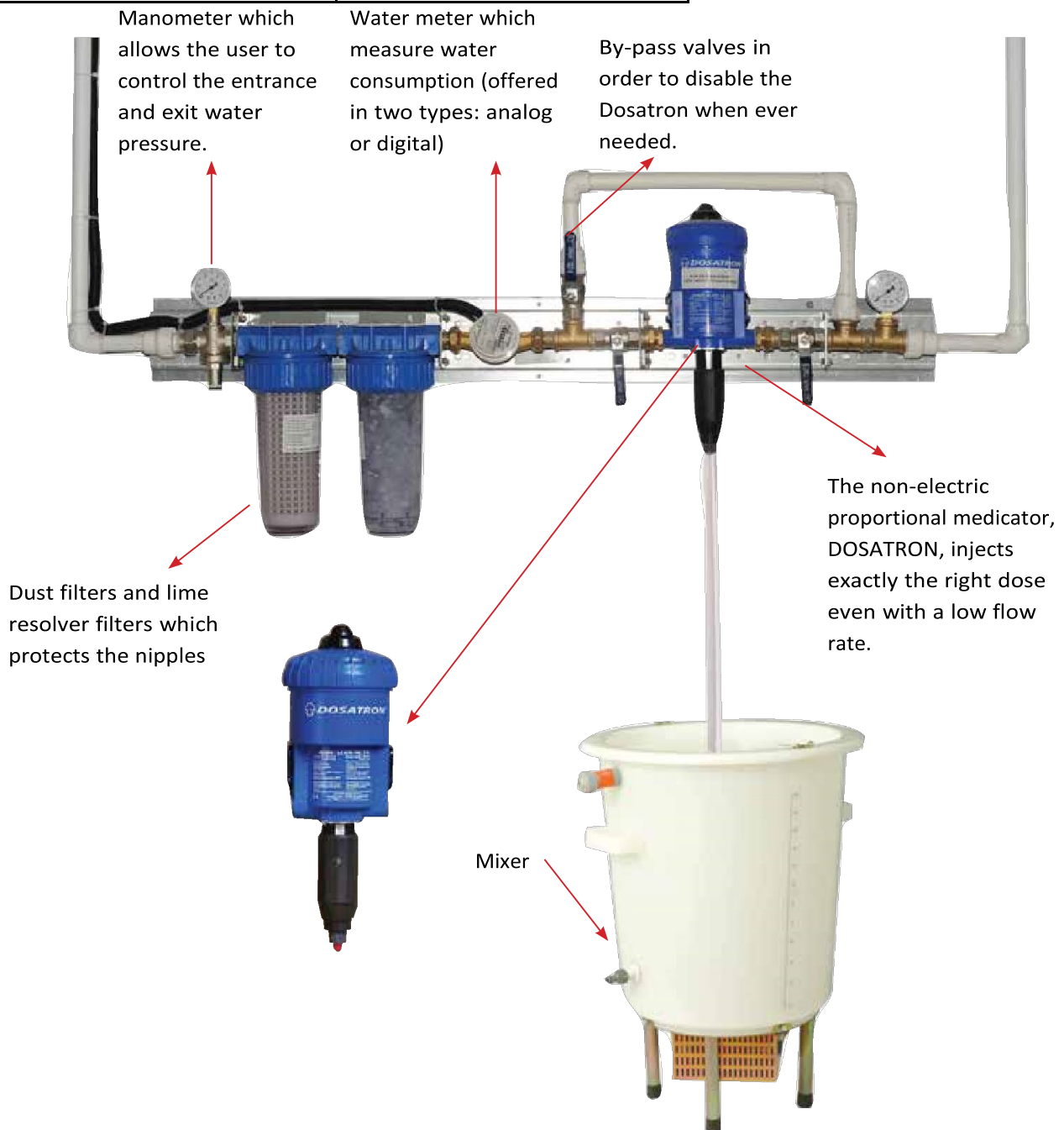
Winch 1350 kg For pan feeding over 60 m

MEDICATOR GROUP

This compact product is placed in poultry houses before nipple watering lines which offers all the needed controls for efficient watering.

Adjustable dosage	% 0.2 - 2 [1:500 - 1:50]
Water flow rate	10 L\hour - 2.5 m3 \hour [0.16 L\min. - 41.66 L\min.] [1\3 US Pint\min. - 11 US GPM]
Operating pressure	0.3 - 6 Bar [4.3 PSI - 85 PSI]
Concentrate additive injection	0.02 L\Sa [0.011 US Fl oz\min.-0.22 US GPM]
Maximum water suction height	4 mt.

- The dosage remains precise, regular and constantly proportional.
- The Medicator is completely hydraulic and so requires no electrical connections.
- Precise dosing avoids waste.
- The liquid dispenser is easily installed in the water line.

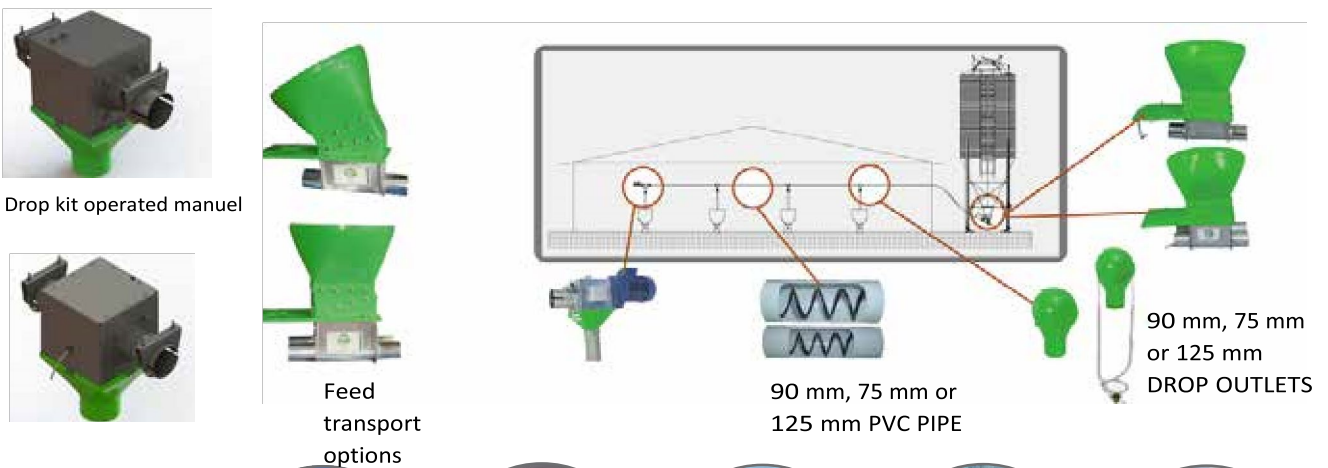


TECHNICAL SPECIFICATIONS

ADVANTAGES



Tavsan silo and flex auger systems offers the user to store and transfer the feed fresh and clean.



1

The high-quality galvanization (350 gr/m²) and the corrugation lead to an excellent light reflection and prevent any greenhouse effect inside the silo.



2

Mechanical filling kit is standard in all of our silos. Pneumatic filling is optional. If required, both of the filling alternatives are available in a single silo.



3

The standard feed view window on the silo body allows you to check the feed level inside the silo.



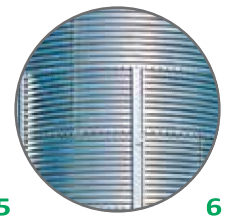
4

The standard ladder, safety cage and handrail are designed for maximum safety.



5

Extended ladder to the ground level is also available as an option for all of our silos.



6

The thickness of the funnel and roof sheet is 1,2 mm.

90 mm, 75 mm or

125 mm DRIVE UNIT

Drop kit with automated valf

- Tavsan silos are offered for mechanical and pneumatic filling.
- In mechanical filling silos, the feed is filled through the top cover which can be easily opened with an arm.
- In pneumatic filling silos the feed is delivered to the silo with air pressure. This way the feed trucks do not enter to the farm which offers high biosecurity.
- It is also possible to fix a cyclone on the top of the silo.

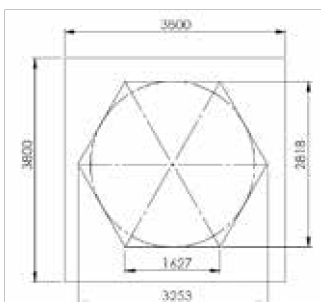
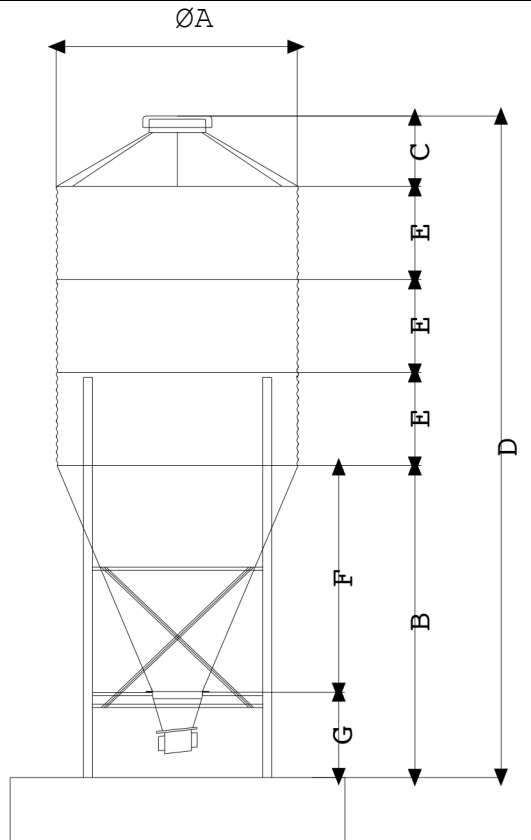
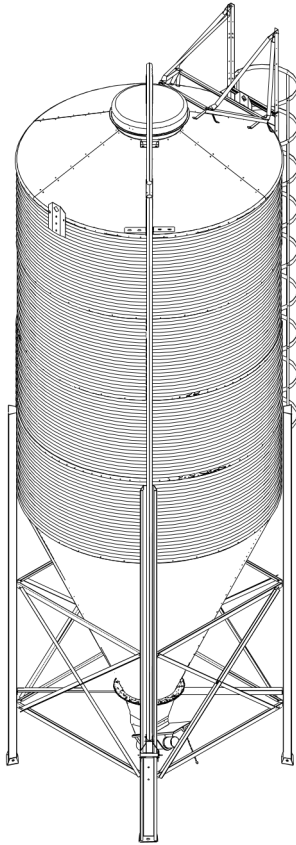
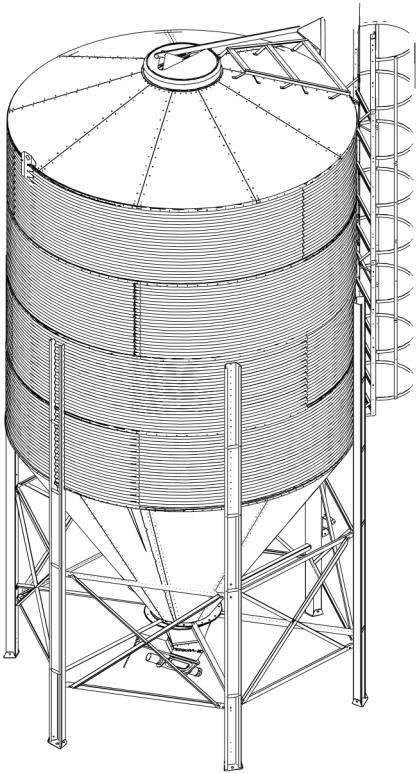
This way the feed which is delivered from the truck by high air pressure comes first to the cyclone and slows down and then enters to the silo. This offers less damage on the pallet and also stops the dust which appears during the filling process.

- In pneumatic silos, the feed filling pipes can be offered with two options; with flange and with coupler.

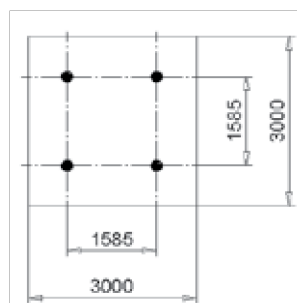
LEG SILOS										LEG SILOS											
		DIMENSIONS (mm)										DIMENSIONS (mm)									
CAPACITY Ton	CAPACITY m ³ VOLUME	A	B	C	D	E	F	G	NUMBER OF RINGS	CAPACITY Ton	CAPACITY m ³ VOLUME	A	B	C	D	E	F	G	NUMBER OF RINGS		
10.5	15.6	2742	2730	515	4855	805	2145	585	2	6	9.4	2150	2730	500	4850	810	2145	585	2		
13.5	20.5	2742	2730	515	5715	805	2185	600	3	8	12.1	2150	2730	500	5660	810	2145	585	3		
16.5	25.25	2742	2730	515	6520	805	2185	600	4	10	14.8	2150	2730	500	6470	810	2145	585	4		



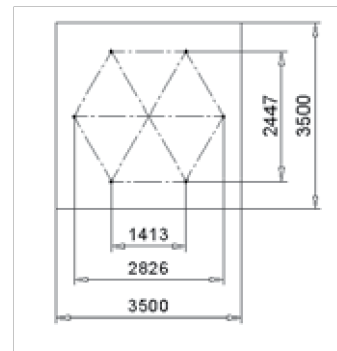
19.5	30.25	2742	2730	515	7325	805	2185	600	5	12	17.5	2150	2730	500	7335	810	2145	600	5	
25	37	3186	3291	1208	7790	810	2527	764	4											



25 Ton silo concrete dimensions



Base concrete drawing for 6-leg silos

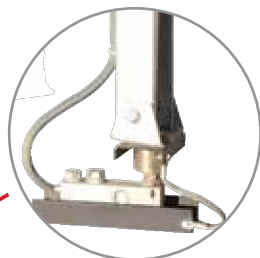


Base concrete drawing for 4-leg silos



EXTENSION BOOTS

When the capacity of the standard flex auger system is not enough, feed extension boots can be used to deliver the feed to longer distances.



WEIGHING SYSTEM WITH LOADCELLS

Feed quantity inside the silo can be monitored and restored when loadcells are used with appropriate controller. Restricted feed delivery is possible.



90° Extension boot



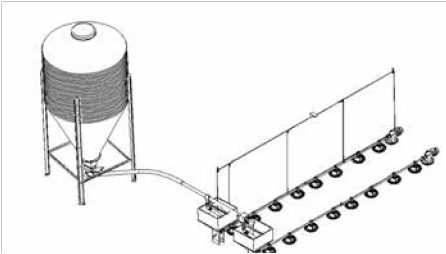
180° Extension boot

Feed transport system	75 mm	90 mm	125mm
Feed transport capacity	1300 Kg/h	2700 Kg/h	5400 Kg/h
Max. length of the system with inclination maximum	60 m	42 m	30 m
Max. length of the system straight line maximum	72 m	51 m	36 m
Max. length of the system with 1 extension boot maximum	117 m	81 m	50 m
Standard drive-unit* specifications	0,55Kw 0,75Hp 350 rpm	0,55Kw 0,75Hp 350 rpm	1,1Kw 1.5Hp 290rpm
PVP pipe outer diameter	75 mm	90 mm	125 mm

PVP pipe wall thickness	3,6 mm	4,0 mm	5 mm
Maximum inclination of the system	75°	75°	75°

TECHNICAL SPECIFICATIONS

*0,75Kw / 1Hp drive-unit available as an option







Tavsan promotes the poultry sector ahead through its glamorous new led product.

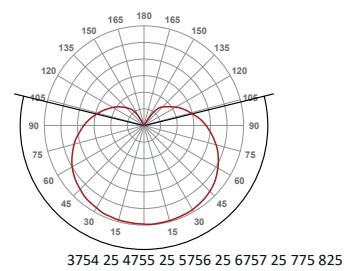
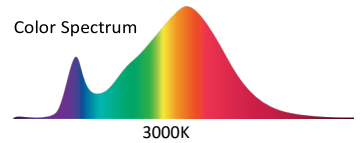
DIMMABLE LED STRING LIGHT BULB

- LED energy saving lamp (8W- 3000 K - 75W incandescent bulb).
- 230V-50/60 Hz, fixing directly to flat cable.
- Available light colours: warmwhite 3000 K.
- High efficiency up to 112 lm/W.
- Average lifetime > 30.000h.
- Perfectly dimmable from 0-100% brightness with iLOX dimmer EPU-1500.
- Non flickering light - FI = < 0,03.
- Fast and flexible fixing.
- Wide beam angle.
- No extra housing needed.
- Dust and waterproof IP68.



LED PERFORMANCE CRITERIA

Voltage	Nominal luminaire input voltage	220-240V 50/60Hz
Mounting method	Screw mount	Fixing directly to flat cable
Led driver	Dimmable	0 - 100%
Ingress protectionI	IP Rating	IP68
Thermal environment	Min. operating temperature	-20°C
	Max. lighting temperature	80°C
Nominal CCT	3000°K	
Color	Warmwhite	
Weight	120 gr	
Lumen	900 Lumen / 112 lm/W	
Watt	8 W	
Life Span	Over 30.000 hours	



Average beam angle
205° (280° max.)



EPU-1500 ELECTRONIC DIMMER CONTROLLER

- 220VAC Universal controller/AC-dimmer for LED.
- Load 1500VA-max.
- intelligent microprozessor-MOSFET-controller.
- Adjustable to trailing-edge or leading-edge dimming.
- RS485-digital-interface- communication.
- Protection of overheating/overload/shortcircuit/undervoltage.
- Alarm signalization by buzzer-beep and LEDs.
- VDE certified and IP20 protection class.
- Power supply 220V-50/60Hz .
- Dimensions: 105*90*60mm W*H*D.

Tavsan Tavukçuluk Ekipman San. ve Tic. A.Ş.

Şerifali Mahallesi Mevdudi Sokak Tavsan Plaza No:10 34775 Ümraniye, İstanbul / TÜRKİYE
T. +90 444 6 887 / F. +90 (216) 364 66 30 / tavsan@tavsan.com.tr / www.tavsan.com.tr