

+905423924009

ALFTRANS GLOBAL™

DISTRIBUTOR

TavSan
EFFICIENT SYSTEMS

Tavsan Enrichable Layer Cage



www.tavsan.com.tr

TAVSAN ENRICHABLE LAYER CAGE

TAVSAN POULTRY EQUIPMENT COMPANY presents TAVSAN Layer Cage System to its solution partners.

TAVSAN Layer Cage System is one of the highest, largest and strongest cage system in its class.



CAGE SPECIFICATIONS

All system legs are designed per 64 cm by using 2 mm thickness galvanized metal sheets. TAVSAN Layer Cage System is designed for all weather conditions in the World. The System is composed of 275 gr/m² minimum galvanized metal sheet parts basically; however, all metal parts are designed for different category and tested for high humidity zones of the World by experienced engineers.

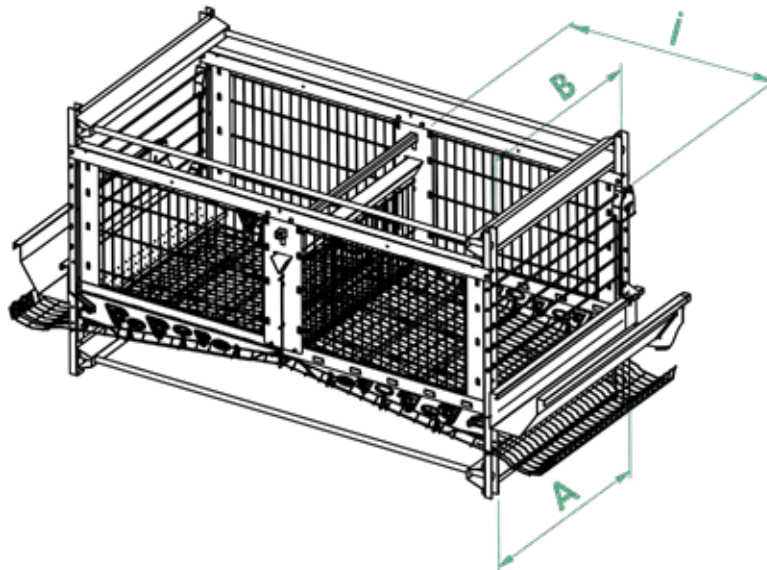
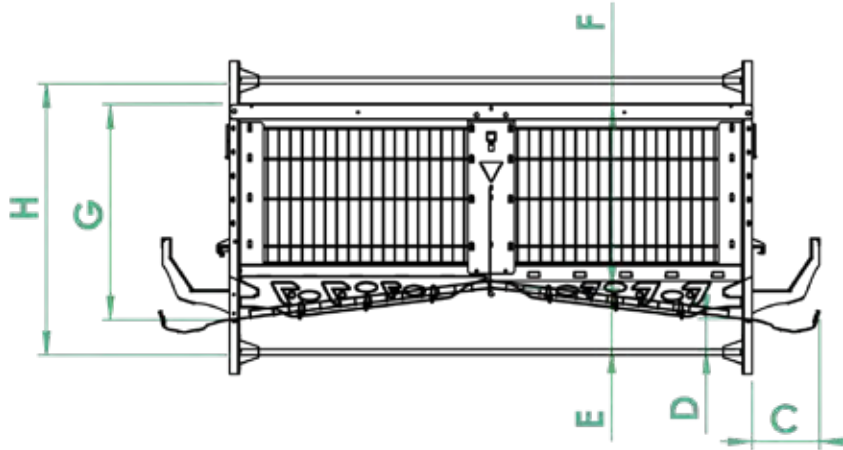
The dimension of section of unit is composed of 66,5 cm of depth, 64 cm width and 69 cm height. Thanks to 69 cm of height of section, the cage is one of the highest cage in the world

TECHNICAL SPECIFICATIONS

Depth 66,5 cm x Width 64 cm x Height 69 cm

Of Layers	Area / Layer
9	472,90 cm ²
10	425,60 cm ²
11	386,90 cm ²

A	640	E	155
B	609	F	465
C	175	G	550
D	80	H	690
		I	665



TAVSAN FEEDING SYSTEM

The Feeding System is available for both Chain and Feed Trolley. Feed Conversion Rate is tested for both systems and both is working with high efficiency. Every section has 64 cm of feed through, it provides easy access to feed for 7 Layers at the same time. The design of system is prepared for European Union regulation and its design is made for easy conversion to Enriched Cage system by using minimum parts. This conversion makes itself the most economic cage system in the world.



Transport Feeding System



Chain Feeding System



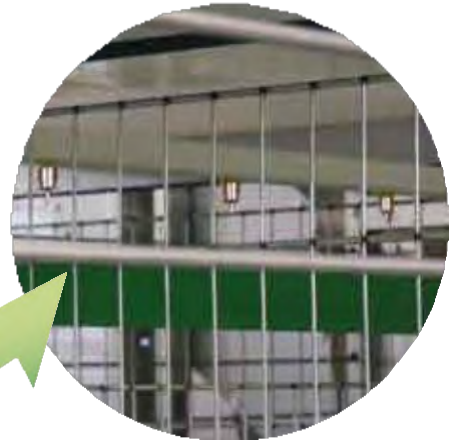
TAVSAN EGG COLLECTION SYSTEM

The egg collection system is available for both Lift and Elevator. The conveyor system is designed by using plastic pipes and return of conveyor is composed of Radius. Thanks to special design of the egg collection system, cracked and broken egg number is decreased to minimum.



TAVSAN DRINKING SYSTEM

Nipple lines are 22 x 22 mm pp square pipe and each section includes 3 nipples for 20 birds. There is a "V" canal under of all nipple line.



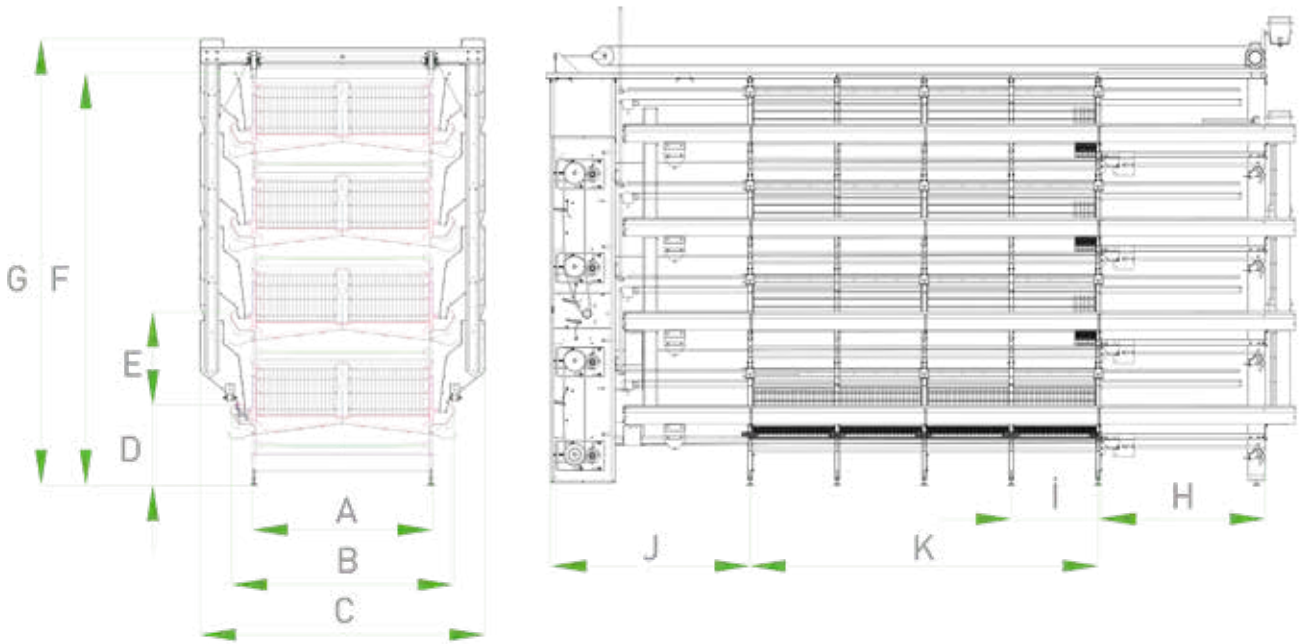
There are 3 Nipples in each section.

TAVSAN MANURE REMOVAL SYSTEM

By using top quality (PP) Polypropylene manure and egg belt in TAVSAN Layer Cage System, life of system provides chance of long term use



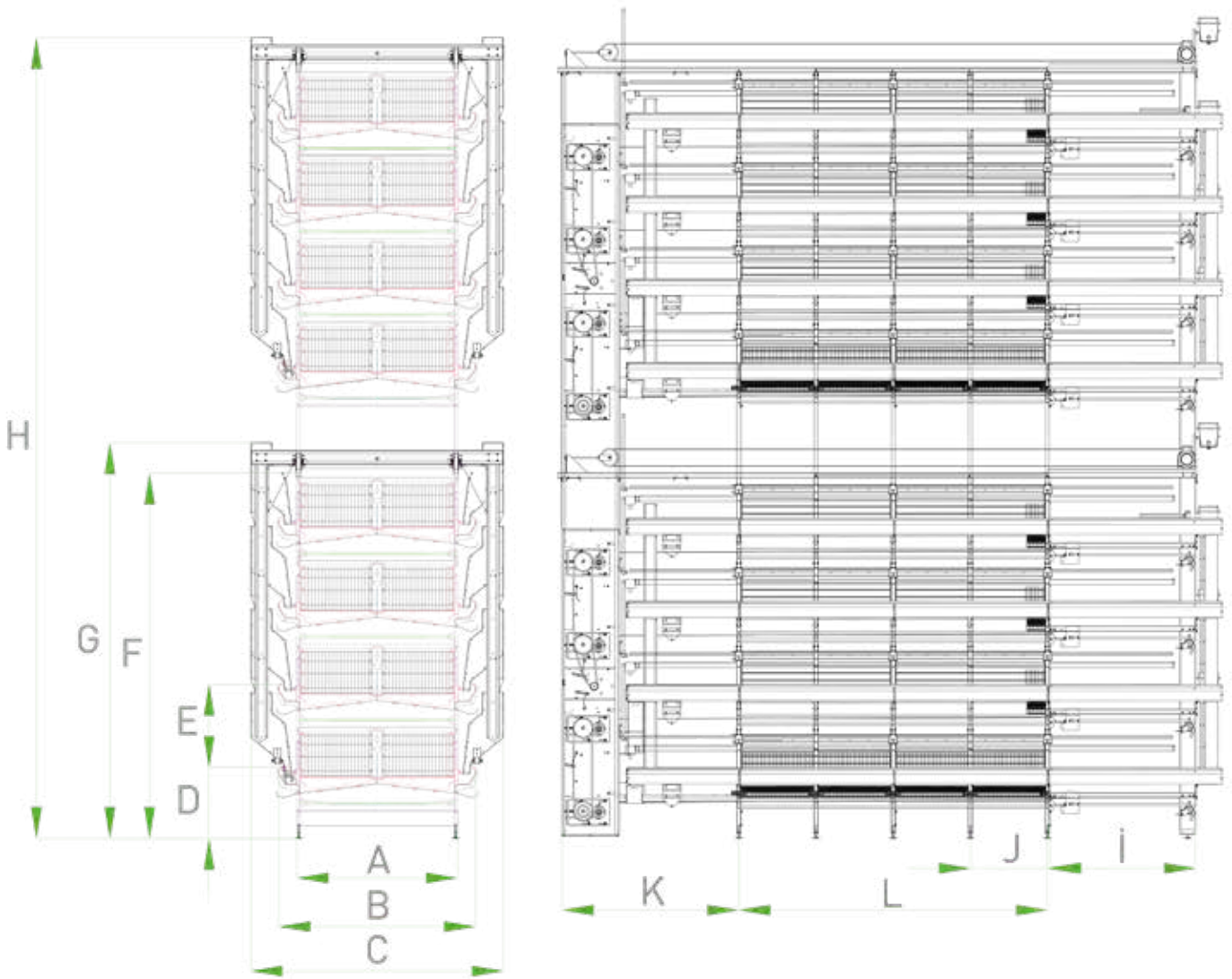
ENRICHABLE LAYER CAGE SYSTEM DIMENSIONS



DIMENSIONS TABLE											
	A	B	C	D	E	F	G	H	I	J	K
TIERS 3	1330	1630	2100	560	690	2340	2560	1006	640	1245	2560
TIERS 4						3030	3250				
TIERS 5						3720	3940				
TIERS 6						4410	4630				
TIERS 7						5100	5320				
TIERS 8						5790	6010				

ENRICHABLE LAYER CAGE WITH CATWALK SYSTEM

The "catwalk" is available for models, up to 8-tier model, with 4 lower tiers and 4 upper tiers, 7-tier model, with 4 lower tiers and 3 upper tiers, 6-tier model, with 3 lower tiers and 3 upper tiers.



DIMENSIONS TABLE												
	A	B	C	D	E	F	G	H	I	J	K	L
TIERS 6 3 Tiers + 3 Tires	1330	1630	2100	560	690	2340	2560	5300	1006	640	1245	2560
TIERS 7 4 Tiers + 3 Tires						3030	3250	6000				
TIERS 8 4 Tiers + 4 Tires						3030	3250	6700				

+905423924009

ALFTRANS GLOBAL™

DISTRIBUTOR

Ataturk Bulvar, Emlak Bank, Aksaray, Kemalpasha
Mahallesi Apt A block No:34/7, 34134 Fatih/İstanbul

www.alftransglobal.com

Tavsan Tavukçuluk Ekipman San. ve Tic. A.Ş.

Serifali Mahallesi Mevdudi Sokak Tavsan Plaza No:10 34775 Ümraniye / İstanbul - TÜRKİYE

T. +90(216) 444 6887 / F. +90(216) 364 66 30 / tavsan@tavsan.com.tr / www.tavsan.com.tr

10/2024

TAVSAN reserves the right, without prior notice or liability, to make changes in the equipment design and technical specifications.